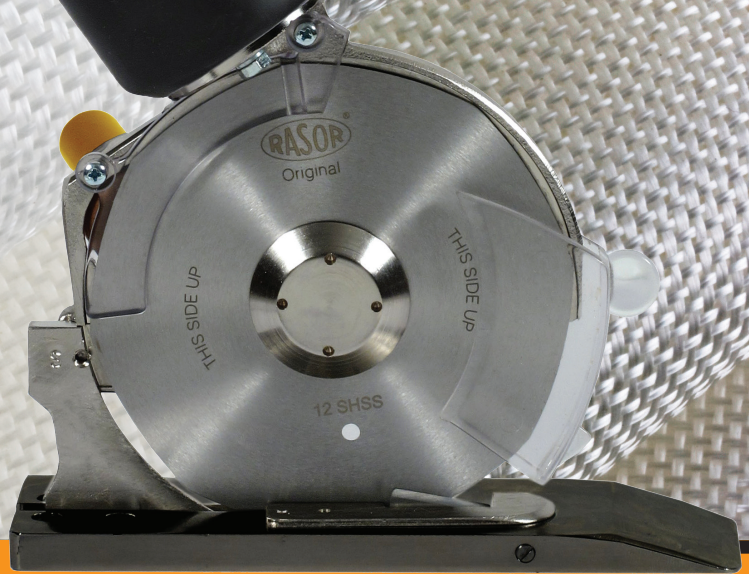




1 HP POWER

**NEW
MONSTER**

AVAILABLE IN
RIGHT VERSION
FP120M



1946

FP120SM

PNEUMATIC CUTTING UNIT

FP120SM. Professional super-powered pneumatic cutting unit for Technical Textile & Composite applications.



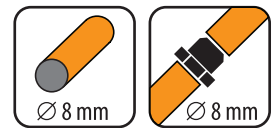
1946

WHAT'S NEW:

- New 1 HP pneumatic motor
- Incredible torque
- Central knife guidance
- Low-friction Teflon® coated foot
- Easy fixing structure for O.E.M applications



PNEUMATIC CUTTING UNIT FP120SM



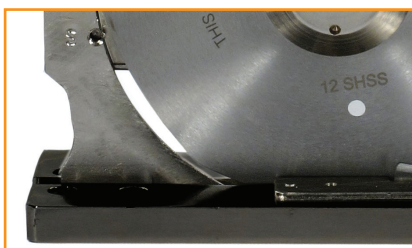
minimum recommended

TECHNICAL DETAILS:

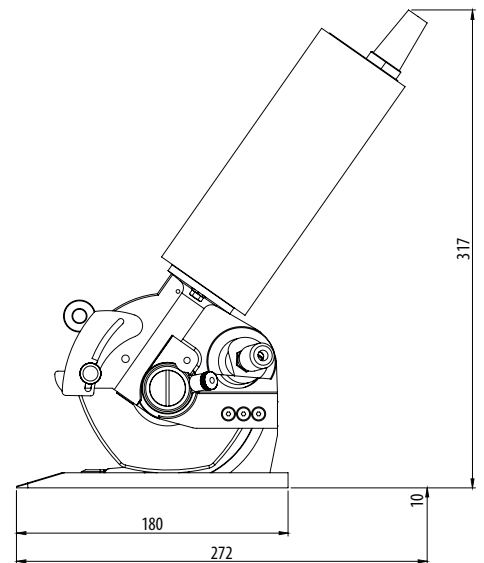
- Blade diameter:** 120 mm (4.7"), with hard metal counterblade
- Blade equipped:** 12SHSS, 8-edges, HSS steel
- Blade speed:** 550 r.p.m.*
- Cutting ability:** up to 50 mm (2")
- Power:** 800 W (at nominal air supply conditions*)
- Torque at max. power:** 1.6 Nm
- Operating pressure:** 6 bar nominal* (± 1 bar) lubricated air supply
- Air consumption:** 18 l/sec*
- Net weight:** 4300 g
- Total weight (with packing box):** 6000 g
- Sound pressure:** 72 dBa (EN ISO 15744)*
- Vibration Level:** 1,36 m/sec² (ISO 8662)*
- Minimum brightness for working operations:** LUX 200
- Temperature range:** 0 – 55 C
- Umidity range:** 10 – 95% without condensate



Sharpening device



Rasor recommend to use only dry air lubricated with special Rasor VG 10 pneumatic oil



Dimension layout

*The reported data are collected at a pressure of 6 bar (ISO 2787: 1984), recommended operating pressure.

BLADES AVAILABLE:

- 12SHSS, 120 mm 8-edges, HSS steel | 12CHSS, 120 mm circular, HSS steel | 12SHSSTF, 120 mm 8-edges, HSS steel Teflon® coated | 12SHSSTN, 120 mm 8-edges, HSS steel Titanium coated | 12SMD, 120 mm 8-edges, Carbide (Widia®)



FOLLOW US:



RASOR ELETTROMECCANICA SRL

Via Vincenzo Caldesi 6
 20161 Milan · Italy
 ph. +39 02 66 22 12 31
 fax +39 02 66 22 12 93
 info@rasor-cutters.com

www.rasor-cutters.com