



D86PS2 ELECTRIC CUTTING UNIT



1946

D86PS2. The smallest professional cutting unit for Textile applications.



ELECTRIC CUTTING UNIT D86PS2

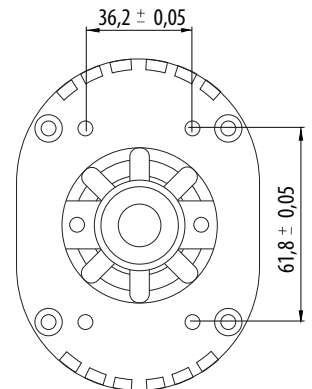


WHAT'S NEW:

New sharpening device system
New Aluminium Teflon® coated base
New main power switch with Led
Easy fixing structure
for O.E.M applications

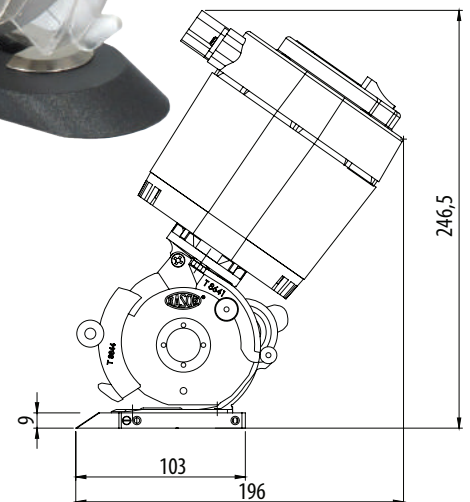
TECHNICAL DETAILS:

Blade diameter: 86 mm (3.4")
Blade equipped: 86PHSS, 5-edges, HSS steel
Blade speed: 850 r.p.m.
Cutting ability: up to 25 mm (1")
Power: single phase – 90 W
Max. absorption: 2 A
Net weight: 2500 g (with power supply cord)
Total weight (with packing box): 4990 g
Electric cable length: 1.5 mt (with no plug)
Minimum brightness for working operations: LUX 200
Vibrations at start up: < 2.5 m/sec 2
Temperature range: 0 – 55 C
Umidity range: 10 – 95% without condensate



Fixing layout

Dimension layout



BLADE EQUIPPED:

86PHSS, 5-edges, HSS steel | **86THSS**, 8-edges, HSS steel | **86PHSSTF**, 5-edges, HSS steel Teflon® coated | **86THSSTF**, 8-edges, HSS steel Teflon® coated | **86THSSTN**, 8-edges, HSS steel Titanium coated | **86TMD**, 8-edges, Carbide (Widia®)



FOLLOW US:



RASOR ELETTROMECCANICA SRL

Via Vincenzo Caldesi 6
20161 Milan · Italy
ph. +39 02 66 22 12 31
fax +39 02 66 22 12 93
info@rasor-cutters.com

www.rasor-cutters.com